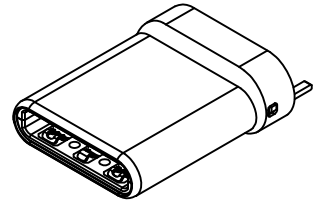
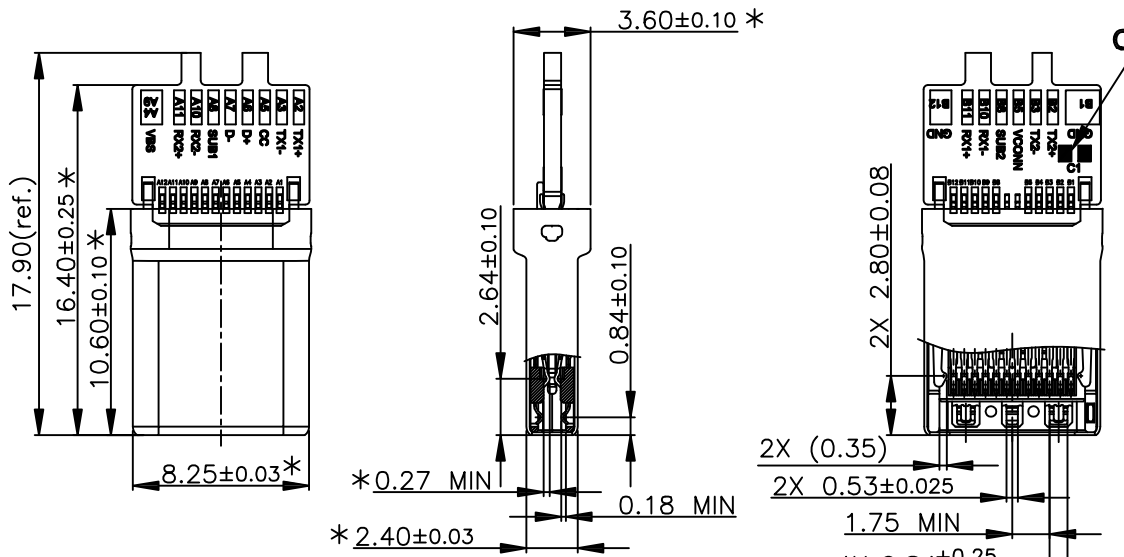


更改 REV	变更内容 MODIFICATION
A	ECXXXXX



NOTE:
 1.ELECTRICAL CHARACTERISTICS;
 1.1 CONTACT RESISTANCE: 40mΩ Max FOR INITIAL. 50mΩ CHANGE AFTER TEST. MEASURE AT 20mV, 100mA.
 1.2 CONTACT CURRENT RATING: 5A FOR VBUS PIN; 1.25A FOR VCONN PIN.
 1.3 DIELECTRIC WITHSTANDING VOLTAGE: 100V AC R.M.S.
 1.4 INSULATION RESISTANCE 100MΩ Min
 1.5 OPERATING TEMPERATURE: -40°C~85°C
 2.MECHANICAL CHARACTERISTICS:
 2.1 MATING FORCE: 5~20 N.
 2.2 UNMATED FORCE: 8~20N AFTER TEST
 2.3 DURABILITY: 10,000 CYCLES

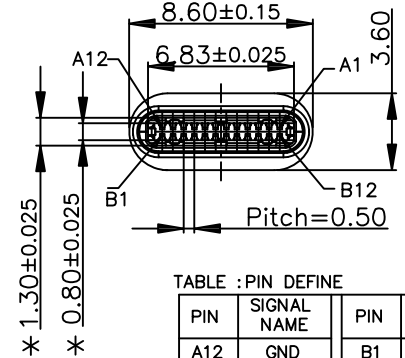
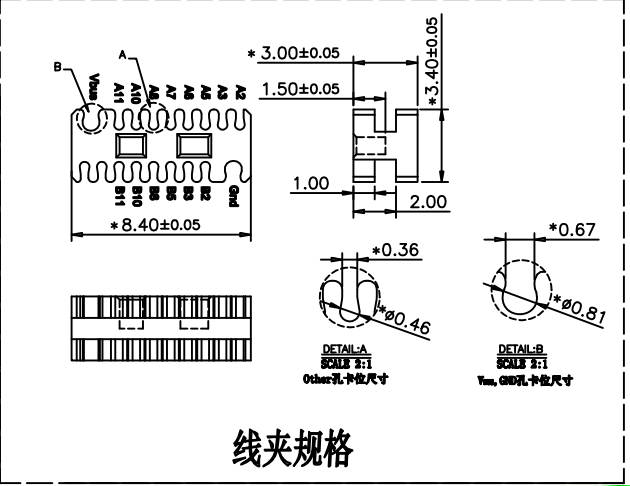


TABLE :PIN DEFINE

PIN	SIGNAL NAME	PIN	SIGNAL NAME
A12	GND	B1	GND
A11	RX2+	B2	TX2+
A10	RX2-	B3	TX2-
A9	VBUS	B4	VBUS
A8	SUB1	B5	VCONN
A7	Dn1	B6	
A6	Dp1	B7	
A5	CC	B8	SUB2
A4	VBUS	B9	VBUS
A3	TX1-	B10	SSTXn2
A2	TX1+	B11	SSTXp2
A1	GND	B12	GND



线夹规格



GENERAL TOLERANCE		KINGCONN 皇海科技股份有限公司
X± 0.50	X*± 5°	
.X± 0.30	.X*± 2°	
.XX± 0.20	.XX*± 1°	名称(TITLE) USB 3.1 TYPE C MALE L:10:6 WITH 3.1 PCB
单位(UNIT) mm	料号(PART NO.) 7USB31-F0-0025	图号(DWG NO.) 7USB31-F0-0025
审核(APPROVAL)	核校(CHECKED)	制图(DRAWN)
比例(SCALE) 1:1	张数(SHEET) 1/1	更改(REV) A